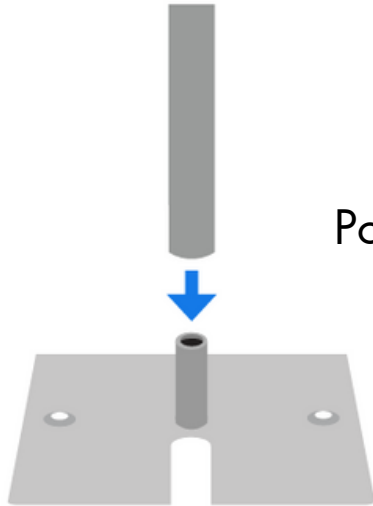
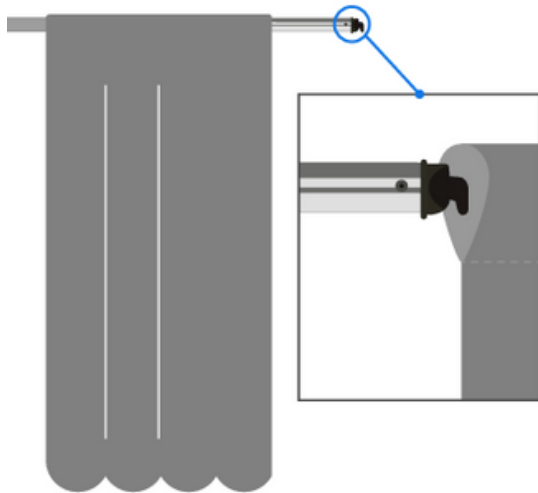


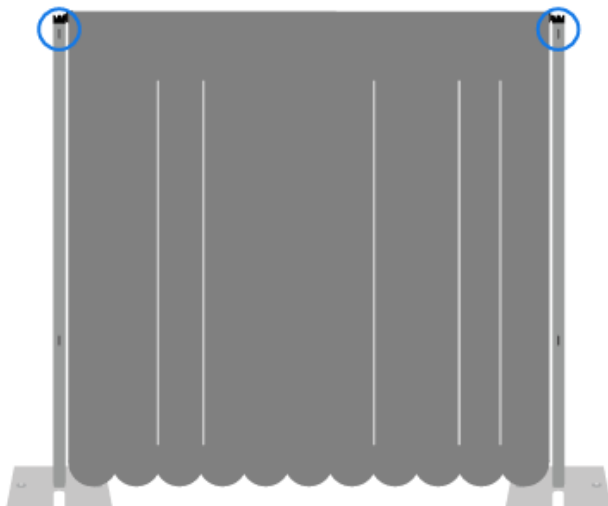
How to set up pipe and drape?



Position the Upright above the pin.



Slide the drapes over the Support bar before securing it in place.



Attach each Hook End of the Drape bar to the top of the Upright.

To breakdown, simply work your way backwards.